



## spare parts list Weldmaster 115V USA

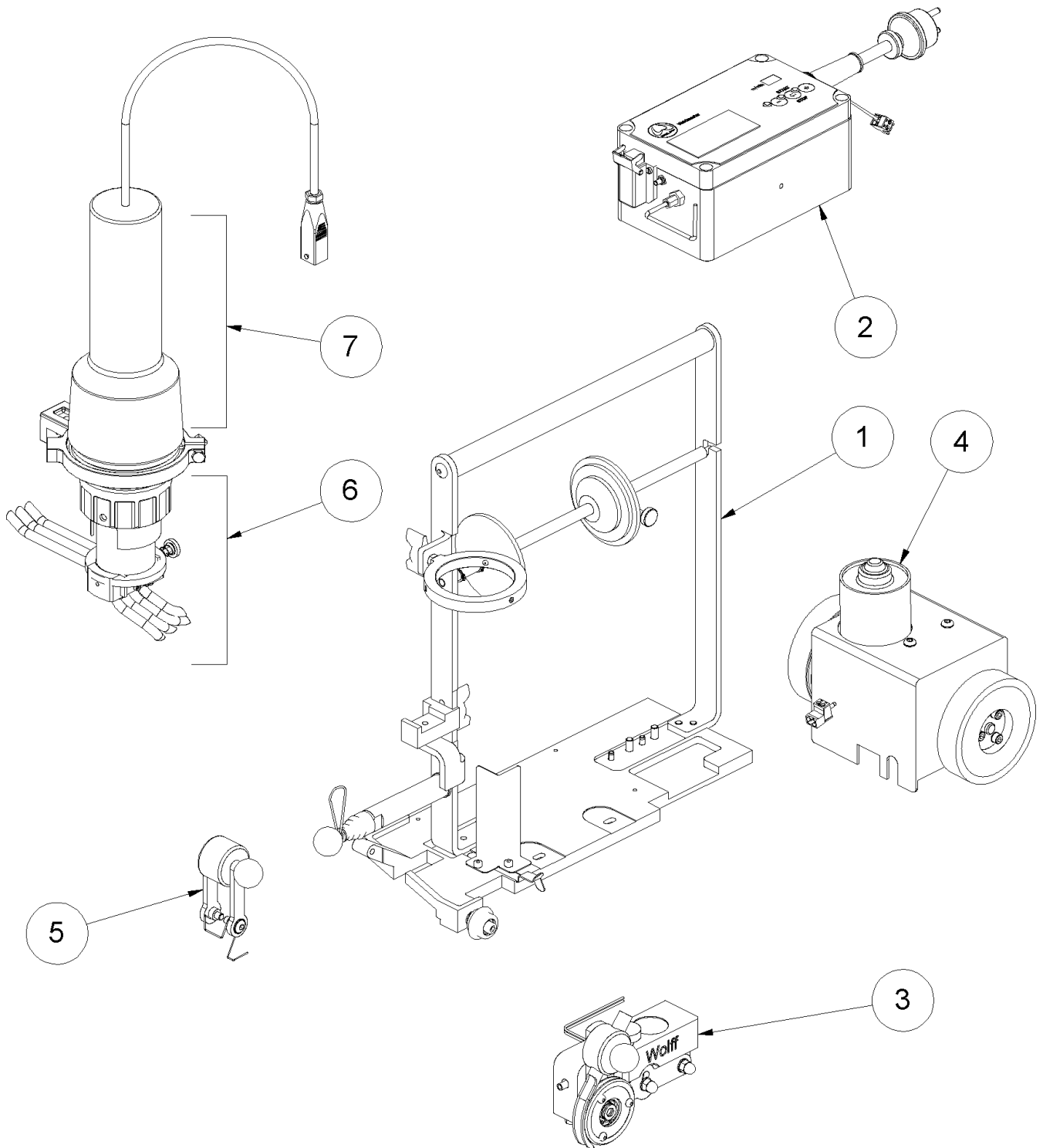


## Table of contents

---

|                              |    |
|------------------------------|----|
| 6 Weldmaster (08/2016-heute) | 3  |
| 1 Basic plate                | 5  |
| 2 Control electronics        | 8  |
| 3 Housing block              | 10 |
| 4 Drive Motor                | 12 |
| 5 Wall switch off            | 14 |
| 6 Welding head               | 16 |
| 7 Heating blower             | 18 |
| 8 Circuit diagram            | 20 |
| 9 Accesories                 | 21 |

## 6 Weldmaster (08/2016-heute)

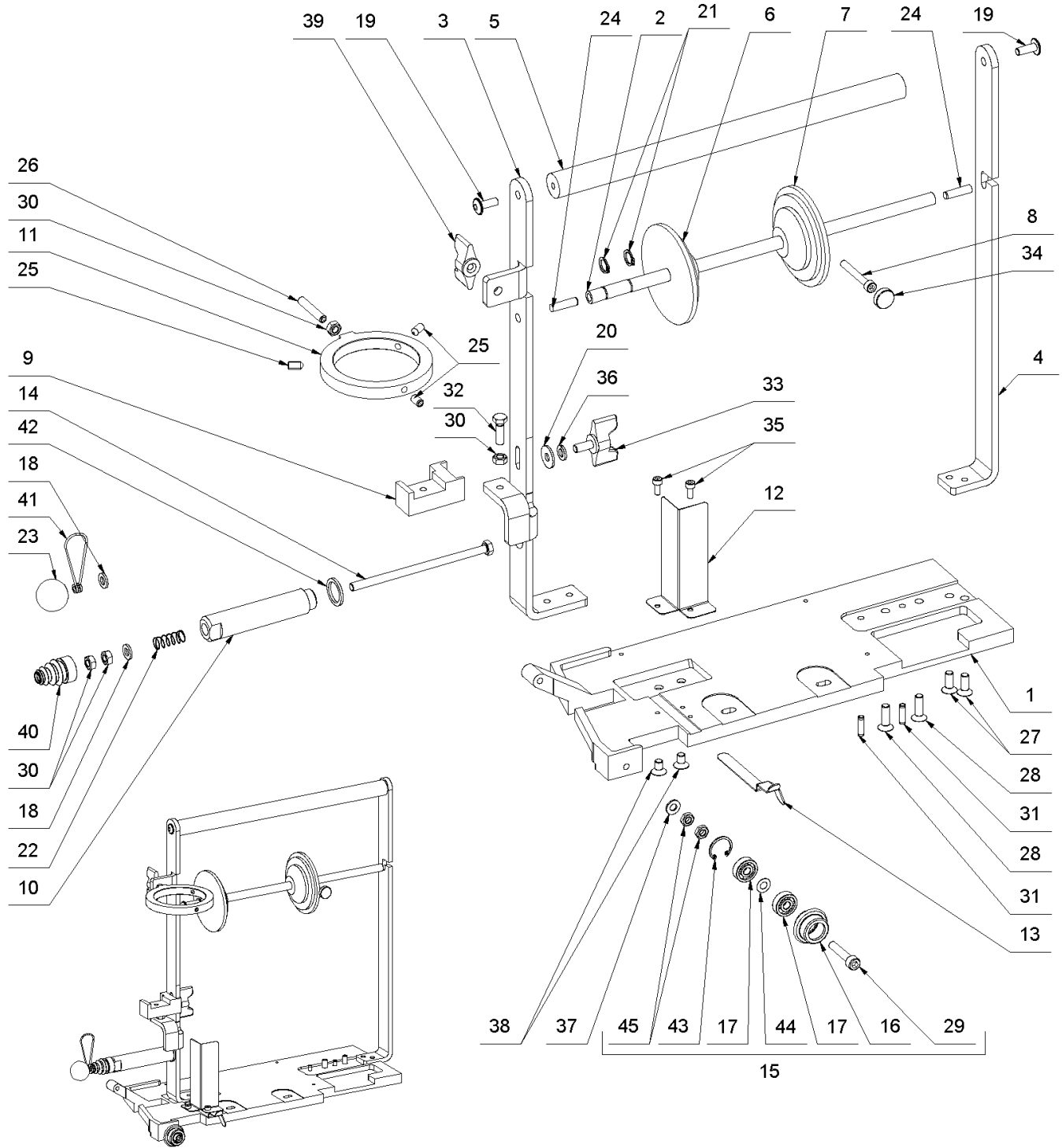


## 6 Weldmaster (08/2016-heute)

---

| Item no. | Article no.  | Description         |
|----------|--------------|---------------------|
| 1        | 05_01_056255 | Basic plate         |
| 2        | 06_02_056392 | Control electronics |
| 3        | 06_03_056255 | Housing block       |
| 4        | 06_04_056255 | Drive Motor         |
| 5        | 02_05_056255 | Wall switch off     |
| 6        | 02_06_056255 | Welding head        |
| 7        | 01_07_013479 | Heating blower      |
| 8        | 01_08_056255 | Circuit diagram     |
| 9        | 01_09_056255 | Accesories          |

# 1 Basic plate



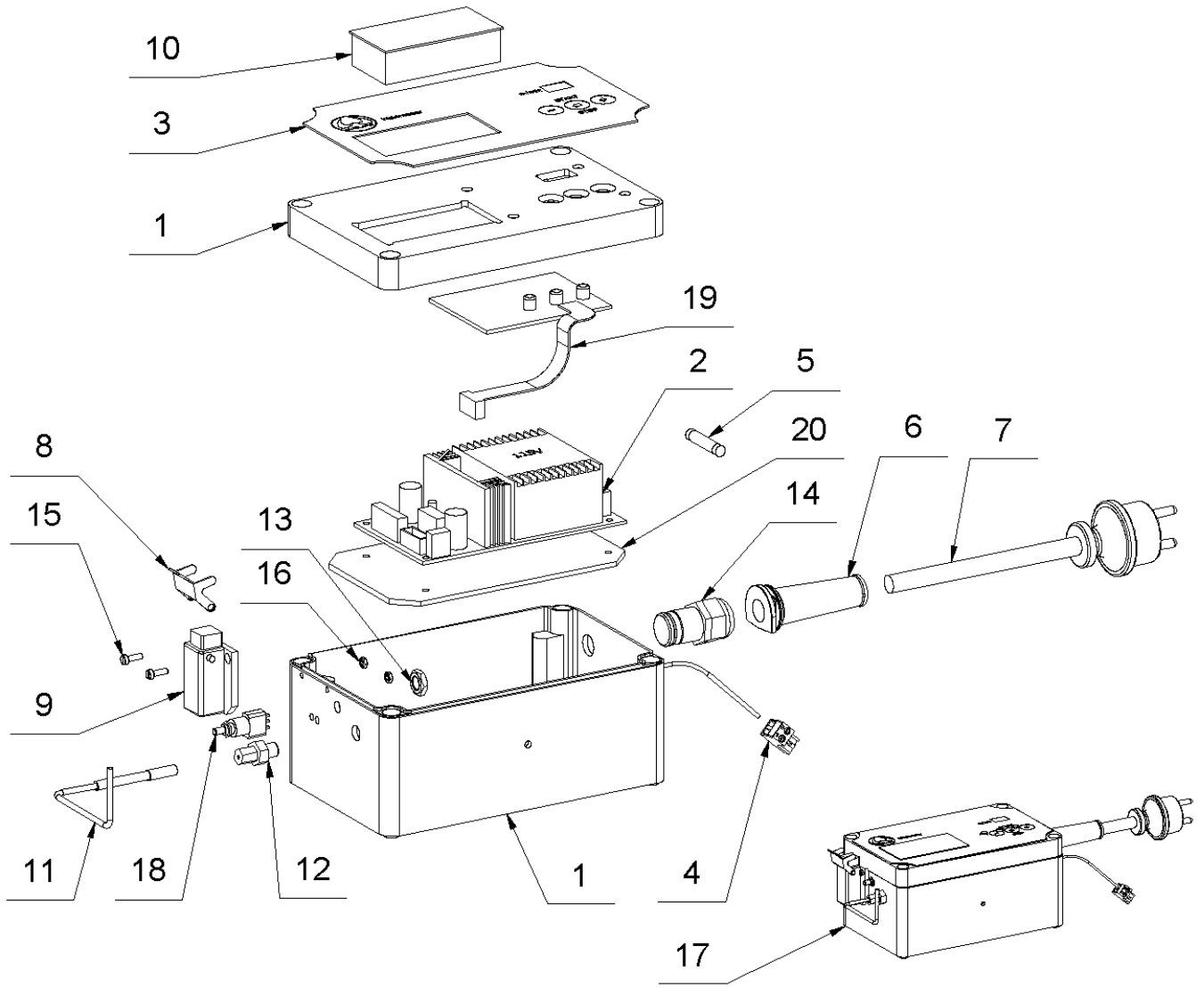
## 1 Basic plate

| Item no. | Article no. | Description                            | Quantity |
|----------|-------------|--|----------|
| 1        | 015285      | Base plate SAM 2                       | 1        |
| 2        | 015287      | Axle for welding rod                   | 1        |
| 3        | 017860      | Shackle up front SAM 2                 | 1        |
| 4        | 015288      | Strap back SAM 2                       | 1        |
| 5        | 017886      | Axle f.shackle SAM 2                   | 1        |
| 6        | 017421      | Roller holder rigid                    | 1        |
| 7        | 015289      | Roller holder moveable SAM 2           | 1        |
| 8        | 014723      | Cylinder head screw M5x40 DIN 912      | 1        |
| 9        | 017940      | Bracket support SAM 2                  | 1        |
| 10       | 056238      | switch bush Weldmaster                 | 1        |
| 11       | 017934      | Supporting ring SAM 2                  | 1        |
| 12       | 017615      | Pressing plate SAM 2                   | 1        |
| 13       | 015300      | Nozzle cover SAM 2                     | 1        |
| 14       | 056250      | Hexagonal screw M 6x120 DIN 933        | 1        |
| 15       | 015040      | Guide roller compl                     | 1        |
| 16       | 015258      | Guiding roll SM1200                    | 1        |
| 17       | 017538      | Ball bearing 626 2RS                   | 2        |
| 18       | 014827      | Washer M6 DIN 125 A                    | 2        |
| 19       | 017552      | Lens head screw M 6x16 ISO 7380        | 2        |
| 20       | 017724      | Washer 6,4 DIN 9021                    | 1        |
| 21       | 017694      | Safety washer A10 DIN 471              | 2        |
| 22       | 014894      | Pressure spring VD-090E / 9x23,90x0,55 | 1        |
| 23       | 017543      | Ball Handle 25mm M6 black              | 1        |
| 24       | 017717      | Cylindrical pin 6x 24 DIN 6325         | 2        |
| 25       | 018196      | Headless pin M 6x12 DIN 915            | 3        |
| 26       | 017524      | Headless pin M6x40 DIN 913             | 1        |
| 27       | 014756      | Countersunk screw M6x16 DIN 7991 10.9  | 2        |
| 28       | 014757      | Countersunk screw M6x20 DIN 7991 10.9  | 2        |
| 29       | 017678      | Cylinder head screw M6x30 DIN 912      | 1        |
| 30       | 014809      | Hexagon nut M6 DIN 934                 | 4        |
| 31       | 014889      | Spiral pin 5x16/7374                   | 2        |
| 32       | 014771      | Hexagonal screw M 6x 20 DIN 933        | 1        |
| 33       | 055512      | Screw M 6x15                           | 1        |
| 34       | 014802      | Thumb screw M 5                        | 1        |

## 1 Basic plate

| Item no. | Article no. | Description                           | Quantity |
|----------|-------------|---------------------------------------|----------|
| 35       | 014717      | Cylinder head screw M4x10 DIN 912     | 2        |
| 36       | 014843      | Spring washer 6 DIN 127 B             | 1        |
| 37       | 017736      | shim ring 6x12x1 DIN 988              | 1        |
| 38       | 017726      | Countersunk screw M6x10 DIN 7991 10.9 | 2        |
| 39       | 047796      | Wing nut M6 plastic                   | 1        |
| 40       | 060722      | Rubber gaiter Mambo Evo/Spider        | 1        |
| 41       | 060726      | Tether Mambo Evo                      | 1        |
| 42       | 014836      | Sealing ring 22x17x2 SAM 2            | 1        |
| 43       | 017693      | Safety washer I19 DIN 472             | 1        |
| 44       | 018076      | Shim washer 6x12x0,2 DIN 988          | 1        |
| 45       | 018666      | Hexagon nut M6 DIN 936                | 2        |

## 2 Control electronics

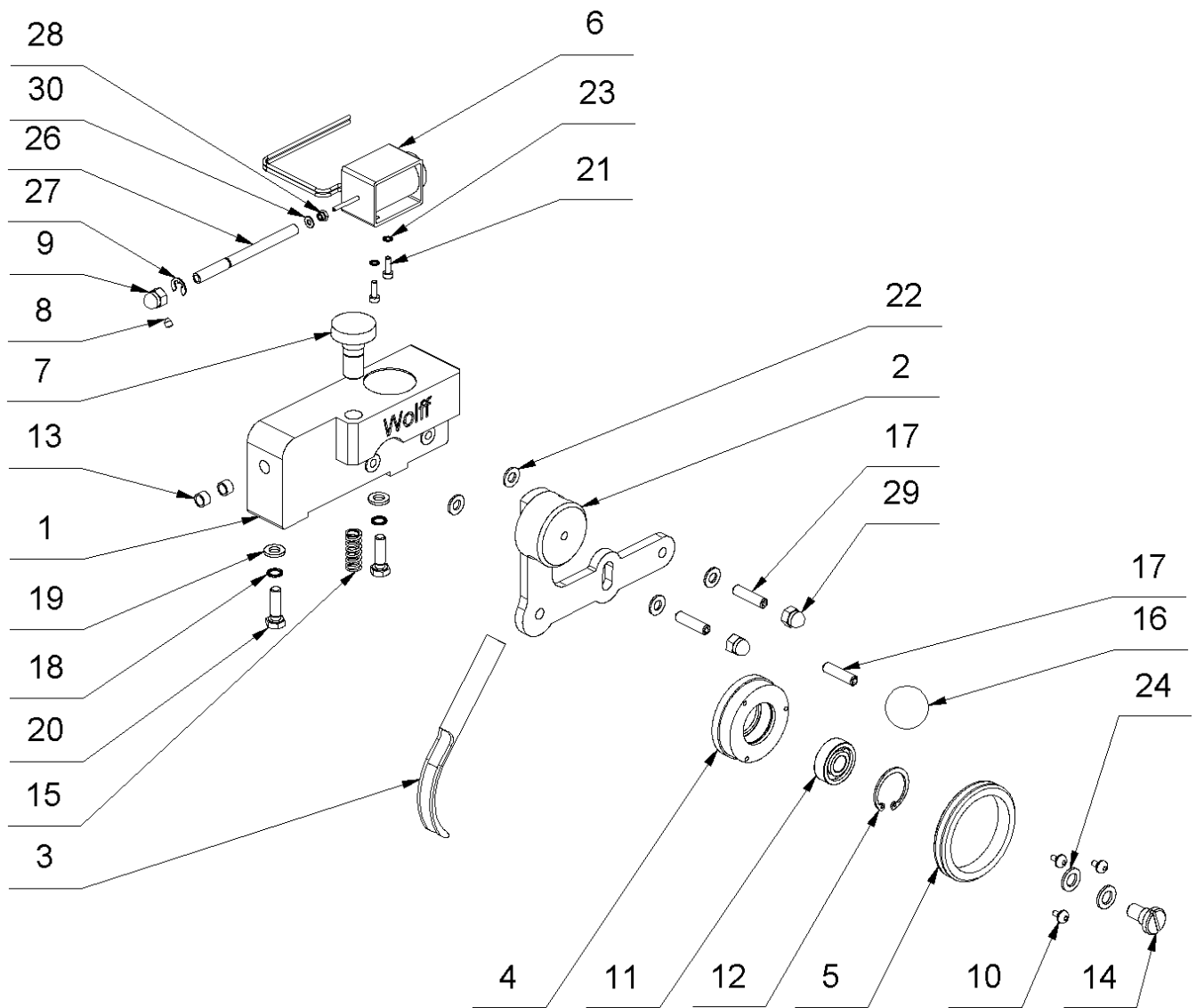




## 2 Control electronics

| Item no. | Article no. | Description                               | Quantity |
|----------|-------------|---|----------|
| 1        | 055603      | Switch housing Weldmaster                 | 1        |
| 2        | 074195      | Platine cpl. 115V Weldmaster              | 1        |
| 3        | 055491      | Keypad Weldmaster                         | 1        |
| 4        | 075014      | Connector 2ProngStraight Plug 24V         | 1        |
| 5        | 061532      | fuse 1A SAM 2                             | 1        |
| 6        | 017664      | Protective rubber sleeve                  | 1        |
| 7        | 071009      | El.cord 2x1,5 <sup>2</sup> x4m w.plug USA | 2        |
| 8        | 017795      | Retaining Clip SAM 2                      | 1        |
| 9        | 017560      | Attachment coupling SAM 2                 | 1        |
| 10       | 055492      | temperature display Weldmaster            | 1        |
| 11       | 056751      | temp.measuring needle cpl. Weldmaster     | 1        |
| 12       | 055496      | fitting M8x1 Weldmaster                   | 1        |
| 13       | 055513      | Hexagon nut M8x1 DIN 936                  | 1        |
| 14       | 014992      | Protective cut-out switch                 | 1        |
| 15       | 018246      | Cylinder head screw M3x10 DIN 84          | 2        |
| 16       | 017629      | Hexagon nut M3 DIN 934                    | 2        |
| 17       | 056393      | Electronics cpl. 115V Weldmaster          | 1        |
| 18       | 014983      | Calipers SAM 2                            | 1        |
| 19       | 056009      | Platine Electronics Weldm./SAM2           | 1        |
| 20       | 017930      | Mounting plate SAM 2                      | 1        |
| 21       | 056750      | Cable set Temperaturdisplay               | 1        |

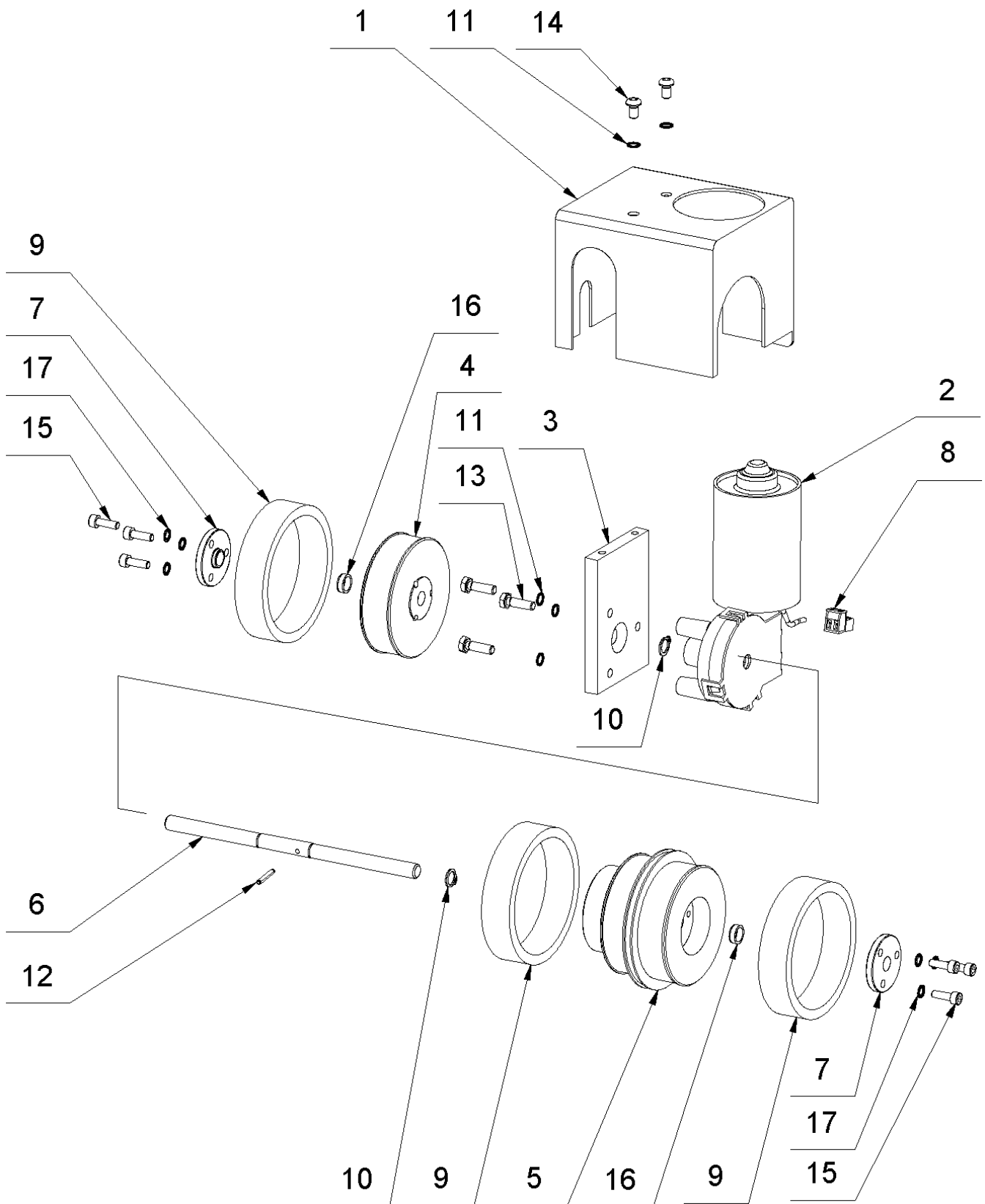
### 3 Housing block



### 3 Housing block

| Item no. | Article no. | Description                           | Quantity |
|----------|-------------|---------------------------------------|----------|
| 1        | 017880      | Housing SAM 2                         | 1        |
| 2        | 017882      | Rocker SAM 2                          | 1        |
| 3        | 015291      | Welding rod feeding tube SAM 2        | 1        |
| 4        | 017933      | Rim for welding wheel SAM 2           | 1        |
| 5        | 015282      | Pressure roller SAM 2                 | 1        |
| 6        | 015296      | Shifting magnet SAM 2                 | 1        |
| 7        | 017973      | Knurled bolt M12x20                   | 1        |
| 8        | 064786      | Thread pin M 4x 4 DIN 916             | 1        |
| 9        | 017986      | cap nut SAM 2                         | 1        |
| 10       | 017555      | Lens head screw M3x6                  | 3        |
| 11       | 017001      | Ball Bearing 6000 2RSH                | 1        |
| 12       | 017692      | Safety washer I26 / DIN 472           | 1        |
| 13       | 017759      | Bushing 0605                          | 2        |
| 14       | 017716      | Flat head screw M8x 6 DIN 923         | 1        |
| 15       | 017751      | Pressure spring VD-198 / 9,25x33x1,25 | 1        |
| 16       | 017543      | Ball Handle 25mm M6 black             | 1        |
| 17       | 017683      | Headless pin M 6x25 DIN 914           | 3        |
| 18       | 014859      | Schnorr washer M6                     | 2        |
| 19       | 014827      | Washer M6 DIN 125 A                   | 2        |
| 20       | 014771      | Hexagonal screw M 6x 20 DIN 933       | 2        |
| 21       | 014715      | Cylinder head screw M3x10 DIN 912     | 2        |
| 22       | 017736      | shim ring 6x12x1 DIN 988              | 4        |
| 23       | 017772      | Schnorr washer M3                     | 2        |
| 24       | 017648      | shim ring 8x14x1,5 DIN 988            | 2        |
| 26       | 017972      | Shifting rod SAM 2                    | 1        |
| 27       | 017714      | Safety washer d5 DIN 6799             | 1        |
| 28       | 014789      | Stud bolt M10x80 DIN 939 5.8 zined    | 1        |
| 29       | 017687      | Cap nut M 6 DIN 1587                  | 2        |
| 30       | 018223      | disc M 3 DIN 125B vzkt                | 1        |

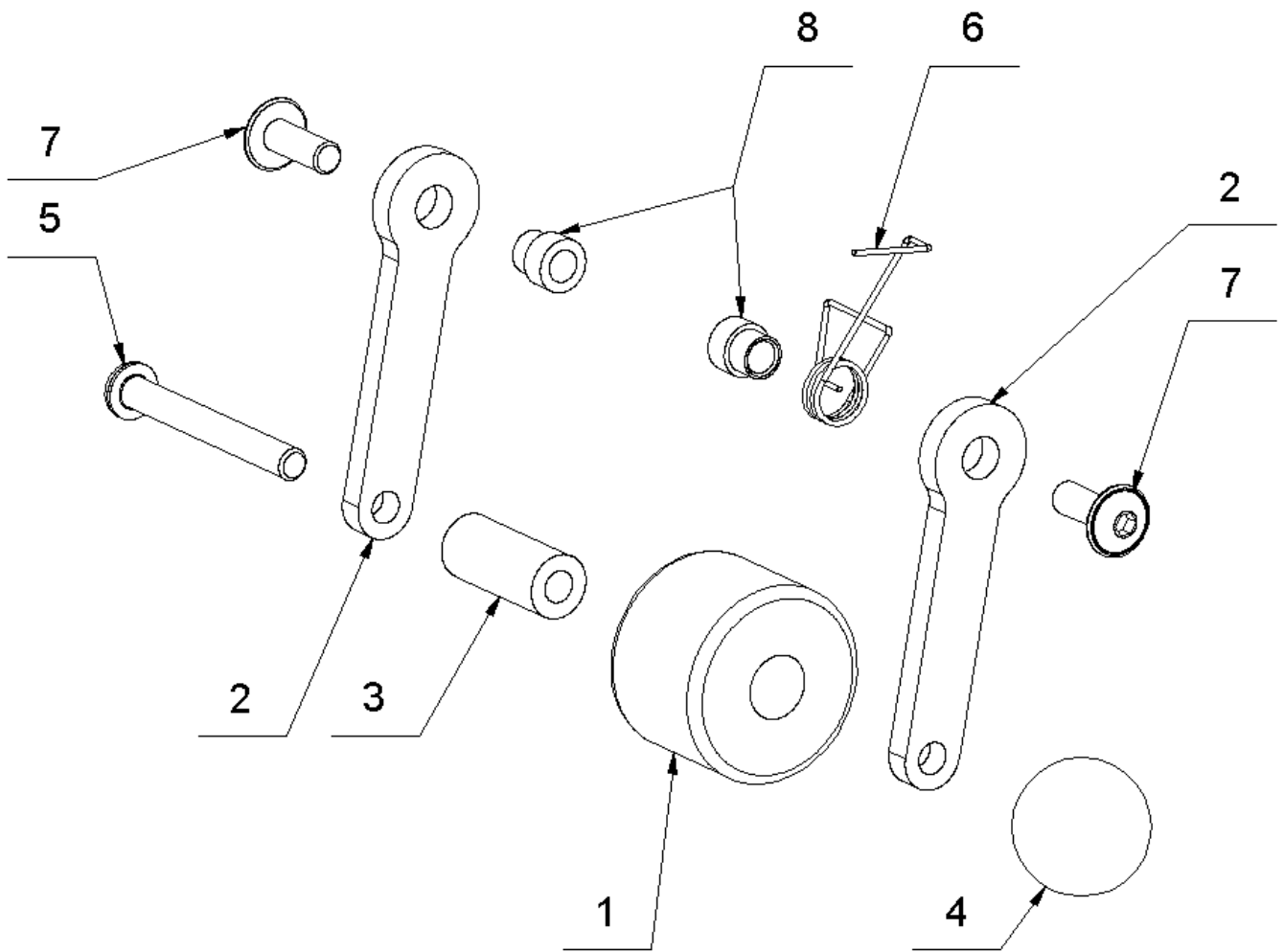
# 4 Drive Motor



## 4 Drive Motor

| Item no. | Article no. | Description                         | Quantity |
|----------|-------------|-------------------------------------|----------|
| 1        | 017853      | Axle housing SAM 2                  | 1        |
| 2        | 082073      | Motor 230V+115V SAM2 ab08/16 kompl. | 1        |
| 3        | 017903      | Ball bearing SAM 2                  | 1        |
| 4        | 017849      | Driving wheel, narrow SAM 2         | 1        |
| 5        | 017833      | Driving wheel SAM 2                 | 1        |
| 6        | 015292      | Axle Drive shaft SAM 2              | 1        |
| 7        | 017942      | Tension flange SAM 2                | 2        |
| 8        | 075016      | Male 2-Prong Straight Plug 24V      | 1        |
| 9        | 014930      | Rubber band d62xd82x22 SAM 2        | 3        |
| 10       | 017694      | Safety washer A10 DIN 471           | 2        |
| 11       | 014859      | Schnorr washer M6                   | 5        |
| 12       | 017775      | spiral spring pin 3x20 DIN 7343     | 1        |
| 13       | 014771      | Hexagonal screw M 6x 20 DIN 933     | 3        |
| 14       | 014799      | Lens head screw M6x10               | 2        |
| 15       | 017610      | Cylinder head screw M5x16 DIN 912   | 6        |
| 16       | 017774      | Clamping sleeve 10x13 SAM 2         | 2        |
| 17       | 014858      | Snorr washer M5                     | 6        |

## 5 Wall switch off



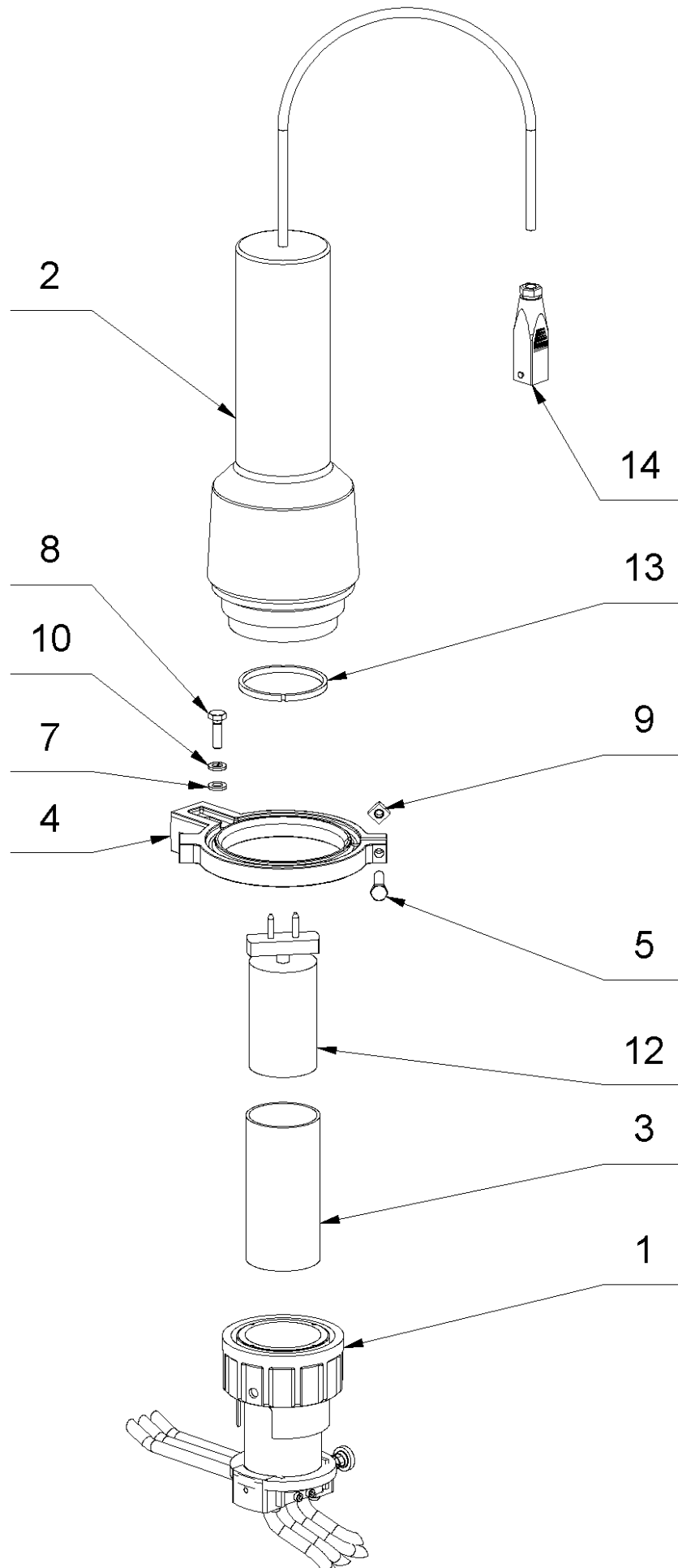
## 5 Wall switch off

---

| Item no. | Article no. | Description                        | Quantity |
|----------|-------------|------------------------------------|----------|
| 1        | 056236      | reel Weldmaster                    | 1        |
| 2        | 056235      | lever Weldmaster                   | 2        |
| 3        | 056237      | Bague p.poulie Weldmaster          | 1        |
| 4        | 017543      | Ball Handle 25mm M6 black          | 1        |
| 5        | 056251      | Lens head screw M6x50 ISO 7380     | 1        |
| 6        | 056621      | leg spring Weldmaster              | 2        |
| 7        | 017552      | Lens head screw M 6x16 ISO 7380    | 2        |
| 8        | 017978      | distance bushing SAM 2 Abhebevorr. | 2        |

## 6 Welding head

---

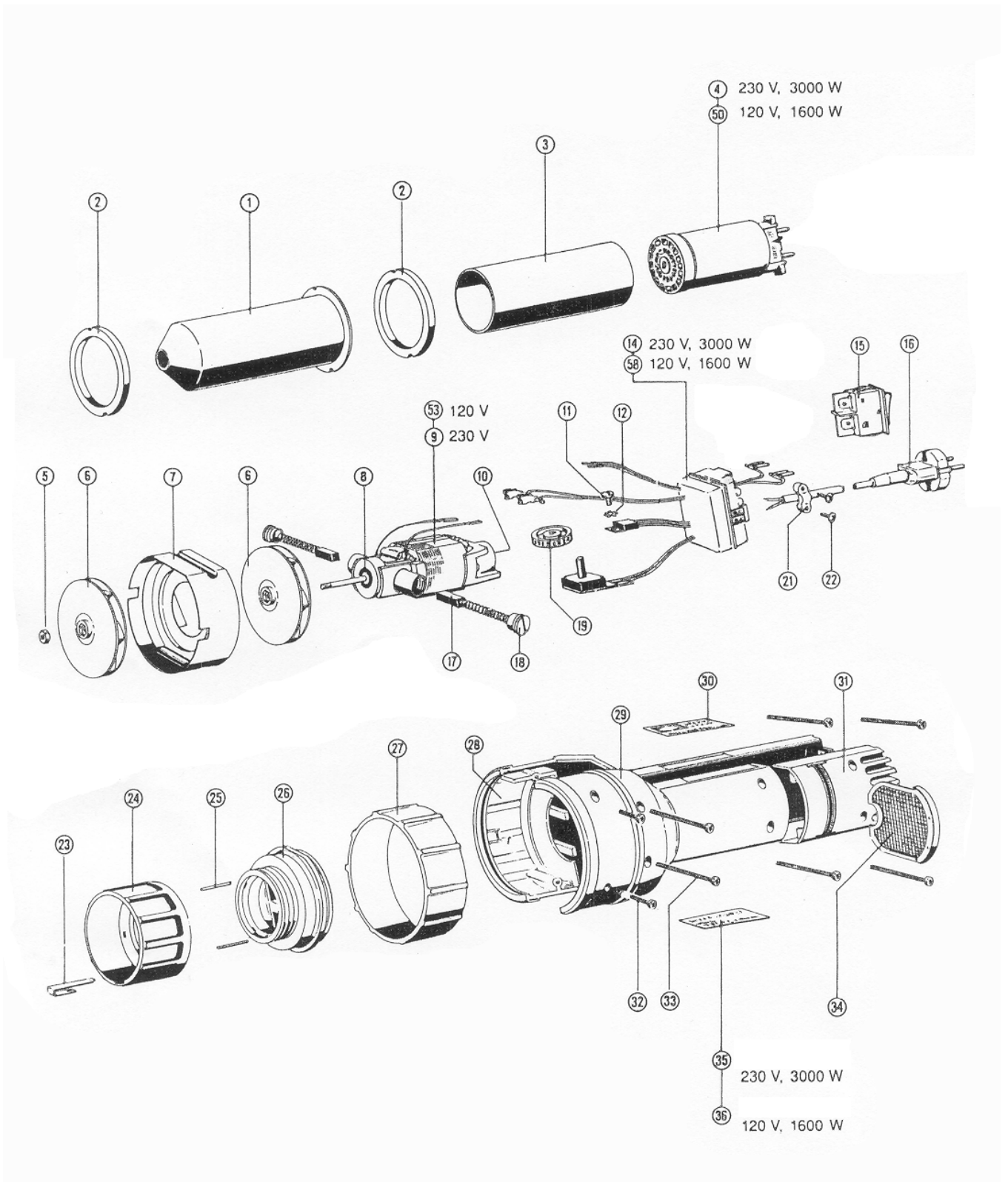




## 6 Welding head

| Item no. | Article no. | Description                              | Quantity |
|----------|-------------|--|----------|
| 1        | 055498      | Welding gun top w.temp.displayWeldmaster | 1        |
| 2        | 017576      | Burner 120V SAM 2/50-60Hz                | 2        |
| 3        | 019289      | Insulating tube SAM 2 f.heating element  | 1        |
| 4        | 015286      | Bracket SAM 2                            | 1        |
| 5        | 014773      | Hexagonal screw M 6x 30 DIN933           | 1        |
| 7        | 014827      | Washer M6 DIN 125 A                      | 1        |
| 8        | 014771      | Hexagonal screw M 6x 20 DIN 933          | 1        |
| 9        | 014819      | Square nut M6/557                        | 1        |
| 10       | 014843      | Spring washer 6 DIN 127 B                | 1        |
| 12       | 018515      | Heating element 115V 1600W SAM 2         | 1        |
| 13       | 017729      | Insulated disc SAM 2                     | 1        |
| 14       | 017635      | Plug with traction relief SAM 2          | 1        |

# 7 Heating blower



## 7 Heating blower

| Item no. | Article no. | Description                              |
|----------|-------------|--|
| 1        |             | Socket                                   |
| 2        |             | Grummet                                  |
| 3        |             | Insulating tube                          |
| 4        |             | Heating element                          |
| 5        |             | Hexagon nut                              |
| 6        |             | Cooling fan                              |
| 7        |             | Fan housing                              |
| 8        |             | Ball bearing                             |
| 10       |             | Ball bearing                             |
| 11       |             | Cylindrical screw                        |
| 12       |             | Belt pulley                              |
| 14       | 017482      | Elektronic K25.30 SAM 2 /230V            |
| 15       | 050873      | Switch SAM 2                             |
| 16       |             | Electrical cord                          |
| 17       | 017461      | Carbon brush 230V+115VSAM 2              |
| 18       |             | Screw                                    |
| 19       | 041882      | Rotary button f.electronic control SAM 2 |
| 21       |             | Ring bolt                                |
| 22       |             | Screw                                    |
| 25       |             | Pin                                      |
| 26       | 021038      | Housing cap f.burner SAM 2               |
| 27       |             | Charge ring                              |
| 28       |             | Housing left                             |
| 29       |             | Housing right                            |
| 30       |             | Logo                                     |
| 31       |             | Cover                                    |
| 32       |             | Binding head                             |
| 33       |             | Binding head                             |
| 34       |             | Sifter                                   |
| 35       |             | Type plate                               |
| 36       |             | Type plate                               |
| 50       |             | Heating element                          |
| 53       |             | Motor                                    |
| 58       |             | Electronics                              |

## 8 Circuit diagram

---

## 9 Accessories

---

| Item no. | Article no. | Description                            | Quantity |
|----------|-------------|--|----------|
| 1        | 015284      | Carrying case 500x235x435 SAM 2        | 1        |
| 2        | 015683      | Cleaning brush, brass                  | 1        |
| 3        | 056293      | Technical instructions Weldmaster 3-sp | 1        |
| 4        | 018515      | Heating element 115V 1600W SAM 2       | 1        |